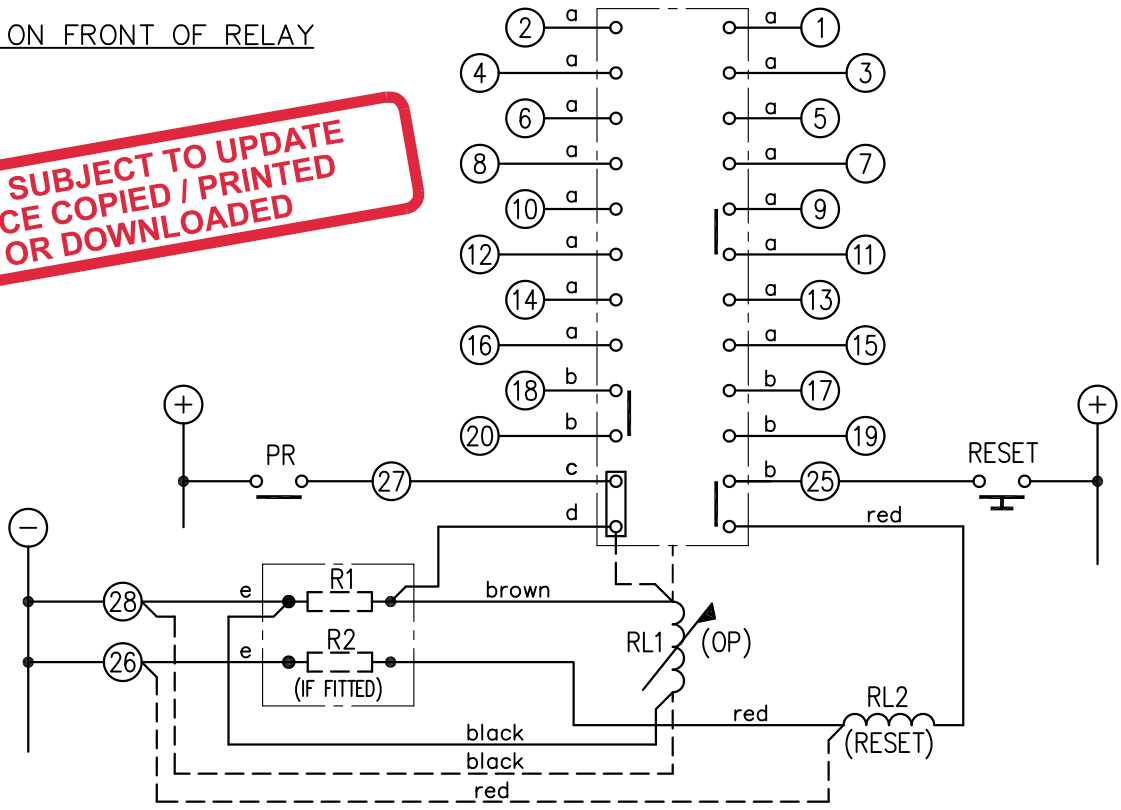


LOOKING ON FRONT OF RELAY

NOT SUBJECT TO UPDATE
ONCE COPIED / PRINTED
OR DOWNLOADED



220&240	1x470R	2102C45471	1x470R	2102C15471	2112G20023	SOLKIT: 36V	ASSEMBLY WIRES USED
KEY	125	2x100R in series 2102C41101	NIL	NIL	2112G20020	SOLKIT: 36V	a 2107B10001 16 OFF
○	50	1x390R 2102C35391	1x18R 2102C25180	2112G20016	SOLKIT: 6V		b 2107B10002 5 OFF
⊠	30	NIL	1x6R8 2102C15687	2112G20014	SOLKIT: 6V		c 2107B10003 1 OFF
⊠	24	NIL	NIL	2112G20013	SOLKIT: 6V		d 2107B10004 1 OFF
⊠	VDC	R1	R2	RL1 (OP) COIL	RL2 (RESET) KIT		e 2107D10164 2 OFF

- make contact
- ⊠ break contact
- ⊠ c/o contact
- ⊙ ext. conn
- ⌋ plug bridge - shorting
- ⊙ metering point
- ⊠ 5Kv barrier
- ⊠ test socket - shorting
- ⊠ plug & socket

CONTACT CONFIG.	OUTPUT CONTACT PAIR / TERMINAL No.										
	1-3	2-4	5-7	6-8	9-11	10-12	13-15	14-16	17-19	18-20	
10M	M	M	M	M	M	M	M	M	M	M	
9M 1B	M	B	M	M	M	M	M	M	M	M	
8M 2B	B	B	M	M	M	M	M	M	M	M	
7M 3B	B	B	M	B	M	M	M	M	M	M	
6M 4B	B	B	B	B	M	M	M	M	M	M	
5M 5B	B	B	B	B	M	B	M	M	M	M	
4M 6B	B	B	B	B	M	M	B	B	B	M	
3M 7B	B	B	B	B	M	M	B	B	B	M	
2M 8B	B	B	B	B	M	B	B	B	B	M	

NOTE:
 1. CONTACT CONFIGURATION ABOVE IS REQUIRED FOR RELAY OPERATION. FOR DETAILS OF VARIABLE CONTACT OPTIONS SEE TABLE OPPOSITE.
 2. RESISTORS R1 & R2 ARE FITTED ONLY WHEN REQUIRED. SEE TABLE ABOVE.
 3. DASHED LINE --- SHOWS CONNECTIONS WHEN RESISTORS ARE NOT FITTED.

FRAME REFERENCE: E2FAQM.
 FRAME TERMINAL BLOCK ASSY: -

ASSEMBLY INSTRUCTIONS: -
 TYPICAL ASSEMBLY DRAWING 2995G10032.
 AT INDICATED POSITIONS FIT AS FOLLOWS:
 T - FIT TRIP ISOLATION CONTACT 2995B10053
 S - FIT STANDARD CONTACT 2995B10054
 SECURE CONTACTS USING FIXING SCREW 2109F99009.
 POSITIONS SHOWN BLANK ARE UNUSED

2	T	T	1
4	T	T	3
6	T	T	5
8	T	T	7
10	T	T	9
12	T	T	11
14	T	T	13
16	T	T	15
18	T	T	17
20	T	T	19
22			21
24			23
26	S	S	25
28	S	S	27

VIEW FROM NUMBERED SIDE OF BLOCK

OUTER TERMINAL BLOCK ASSY: -

ASSEMBLY INSTRUCTIONS: -
 TYPICAL ASSEMBLY DRAWING 2995G10029.
 AT INDICATED POSITIONS FIT AS FOLLOWS:
 S - FIT STANDARD CONTACT 2995B10051
 HC - FIT 'HEAVY CURRENT' KIT 2995G10030
 WHERE ⊠ IS SHOWN FIT CT SHORTING KIT 2995G10031
 POSITIONS SHOWN BLANK ARE UNUSED.
 ALL POSITIONS FIT SCREW 2106F12506.

2	S	S	1
4	S	S	3
6	S	S	5
8	S	S	7
10	S	S	9
12	S	S	11
14	S	S	13
16	S	S	15
18	S	S	17
20	S	S	19
22			21
24			23
26	S	S	25
28	S	S	27

VIEW FROM INSIDE FACE

Title: T.B. AND WIRING DIAG. FOR TR231-10/ TR241-10 RELAYS IN EPSILON E2 CASE.			First used on:		
5 RDW 31/05/11 MN112/3408 4 RDW 15/09/06 MN112/2832 3 RDW 14/11/05 MN112/2744 2 08/02/00 MN112/247			Similar Articles:		
ISSUE DATE MOD.No.			Supersedes:		
Reyrolle Protection Hebburn.			Drg.No. 2112W50015		
DRAWN: A.LAW.		CHECKED:		APPROVED: R.D.WATSON	
DATE: 16/07/02				Copyright © 1998 Reyrolle Ltd	